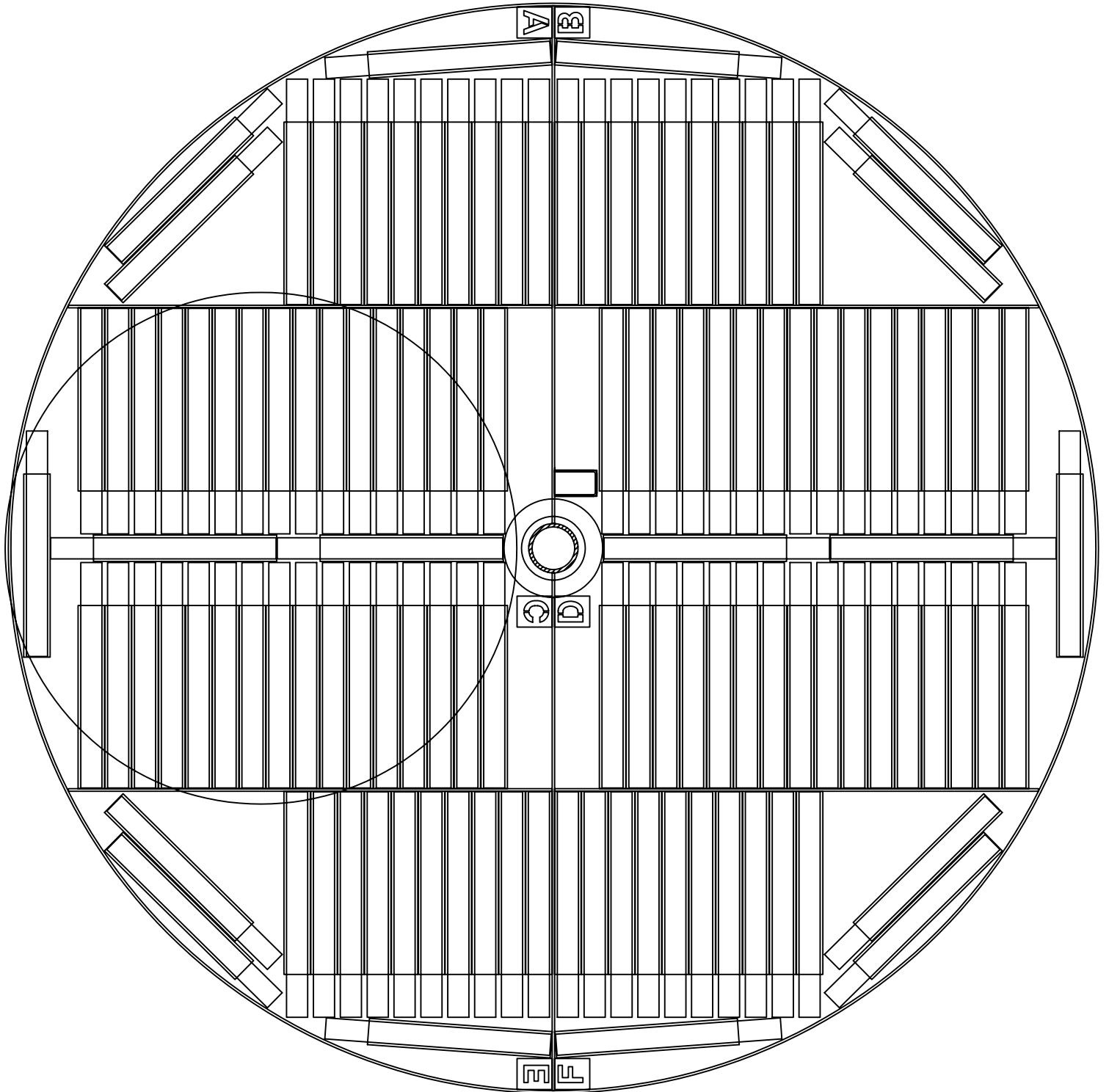


MVE 1542R-190
GAMBRO DF200 LAYOUT



122 FRAMES
488 CASSETTES